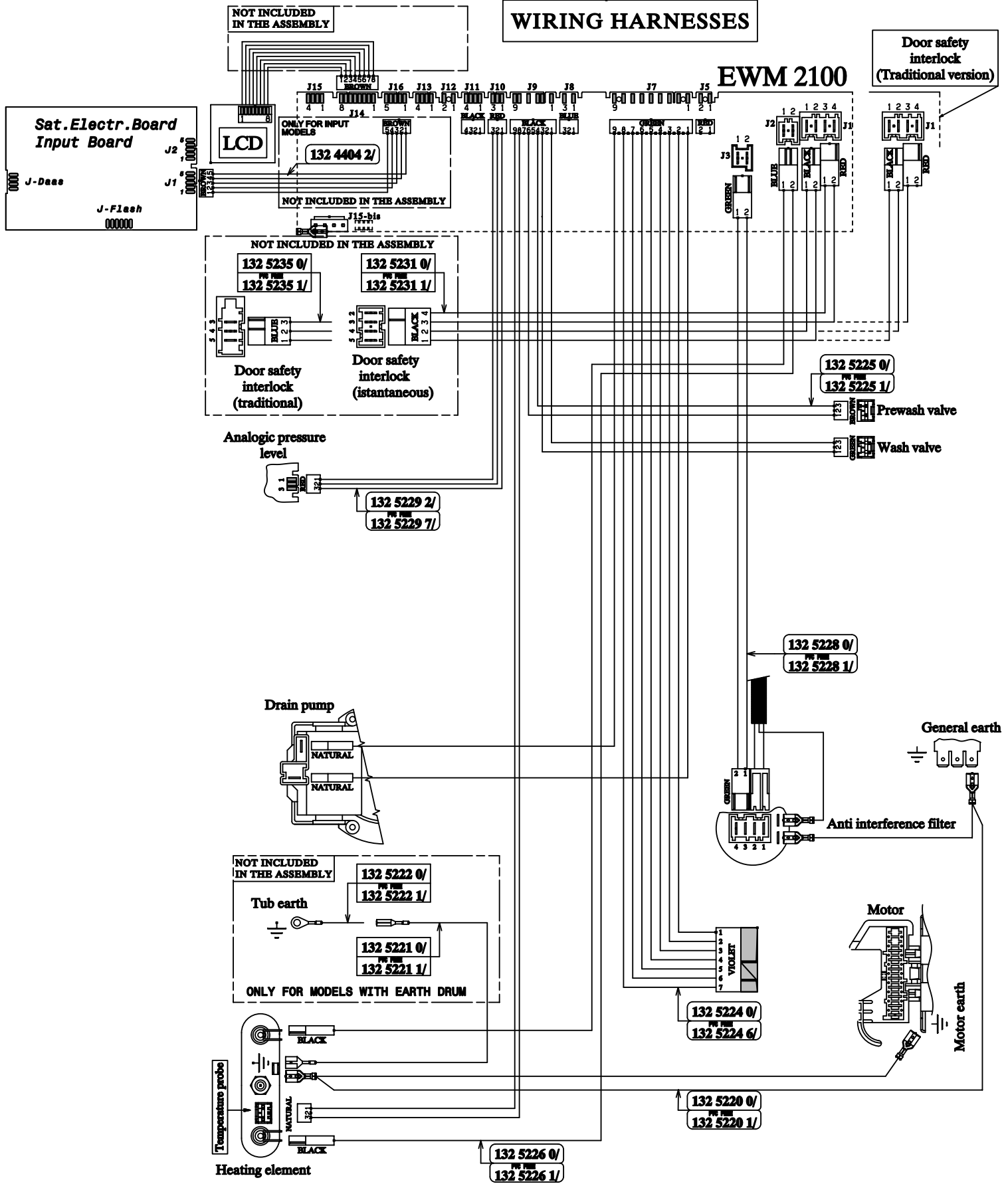
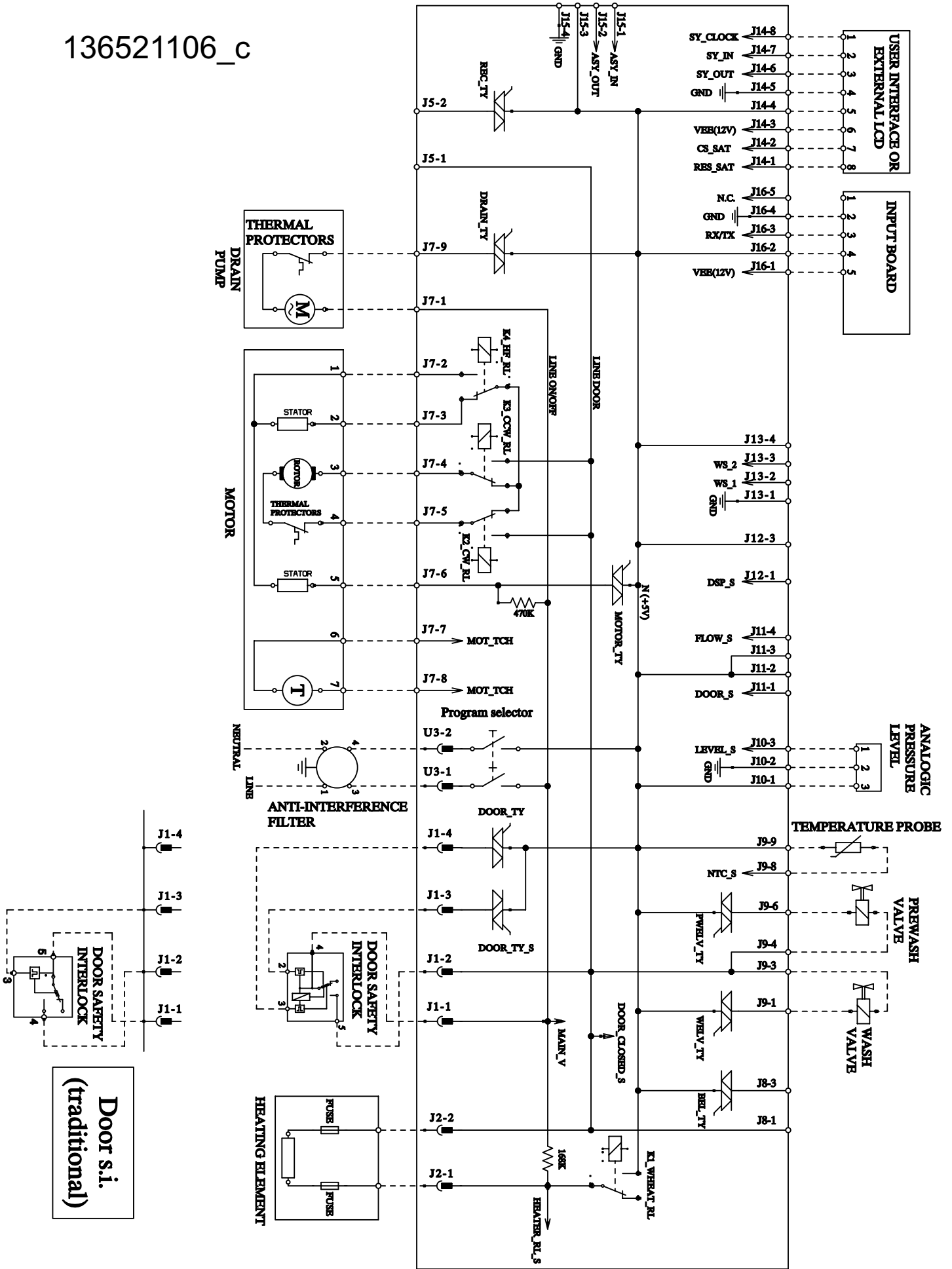


# WIRING HARNESSSES





Door s.i.  
(traditional)

**ELECTRIC DIAGRAM -EWM 2100**